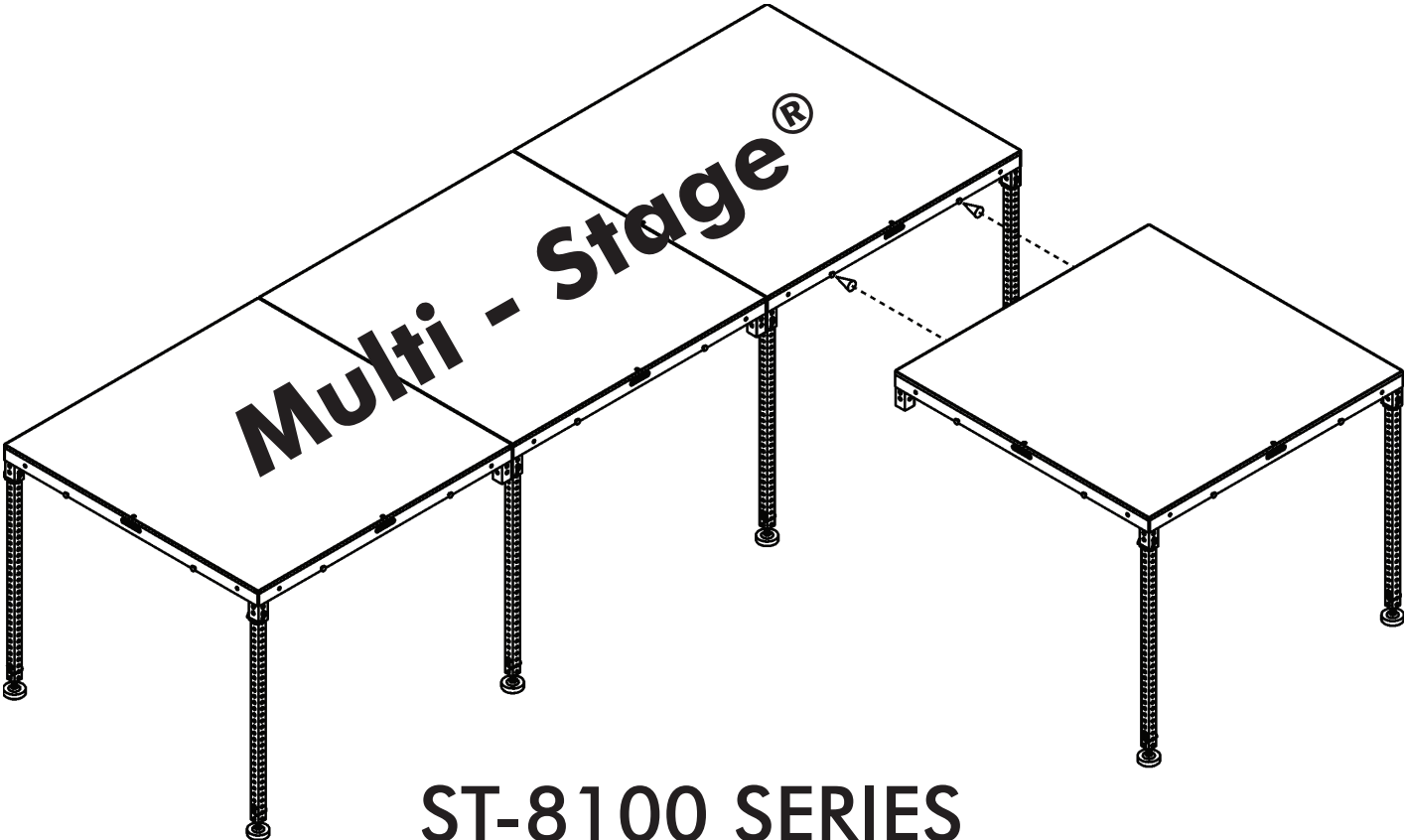


**SPECIAL *Event* RENTALS**



**ST-8100 SERIES**  
**ASSEMBLY**  
**INSTRUCTIONS**

ALL DRAWINGS ARE FOR ILLUSTRATION ONLY.

**Edmonton**

780-435-2211  
6010-99 Street

**Red Deer**

403-347-7733  
5929-48 Ave

**Calgary**

403-235-2211  
2312-52 Ave

**Banff**

403-762-2227  
150 Eagle Crescent

# Assembly Instructions Include:

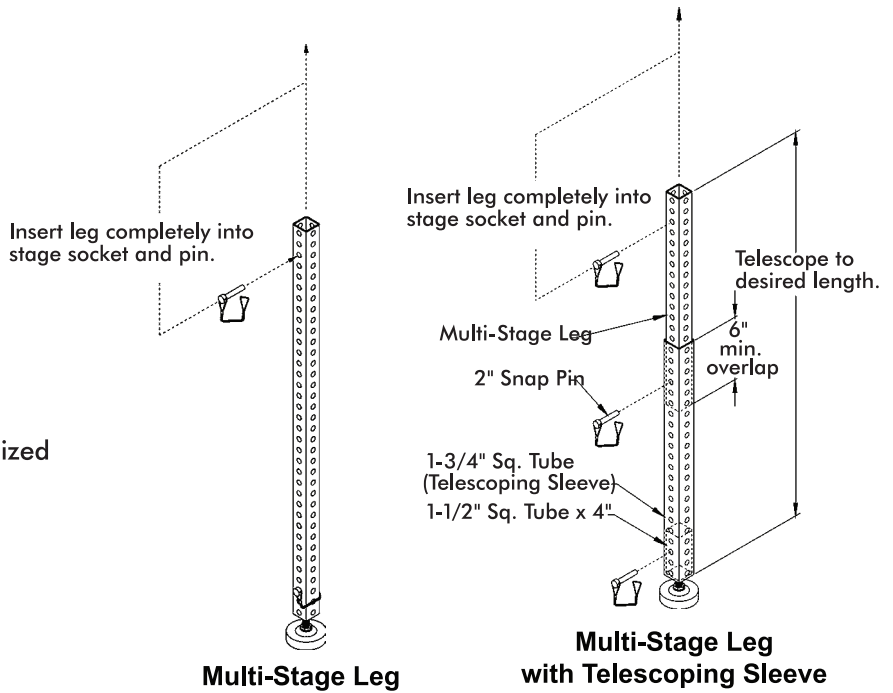
- Step 1 ..... Site Preparation
- Step 2 ..... Leg Assembly
- Step 3 ..... Setting the Stage (Non-Telescoping Legs)
- Steps 4-6 .... Setting the Stage

- Step 7 ..... Guard Rail Installation
- Step 8 ..... Diagonal Bracing
- Step 9 ..... Stairs
- Special Configurations Sections

## STEP 1 Site Preparation

- A. Determine the exact location of the stage.
- B. For outdoor stages, mudsills are recommended to distribute the weight (150 PSF) on the legs. This will help prevent the legs from sinking and ease in leveling the stage.

## STEP 2 Leg Assembly

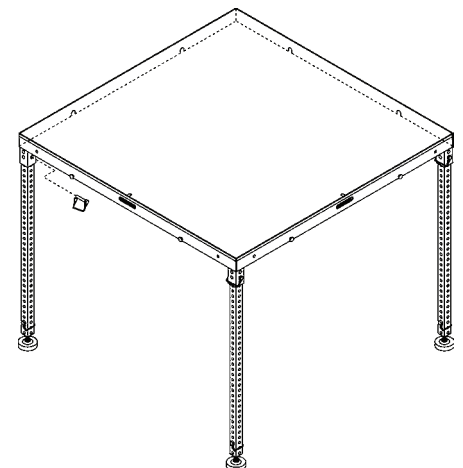


Attach adjustable rubber base pad to galvanized legs in 3rd hole with 2" snap pins.

## STEP 3 Setting the Stage (Non-Telescoping Legs)

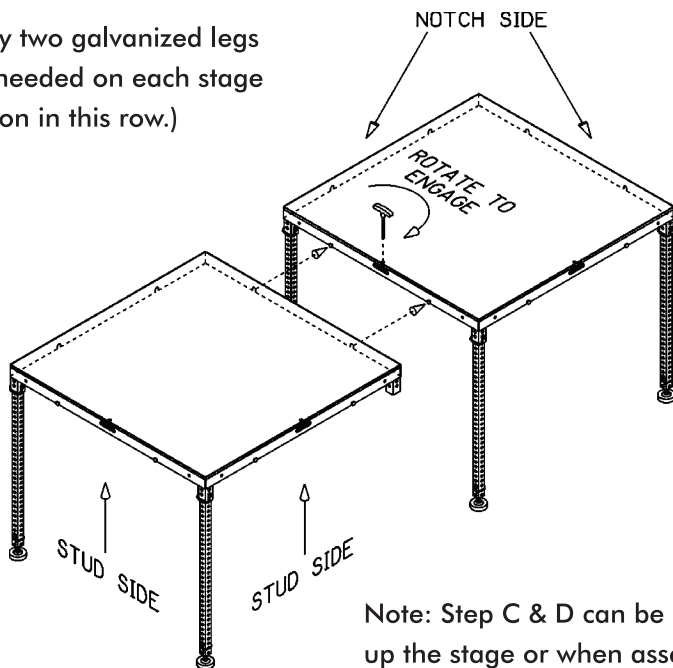
- A. Insert legs completely into all four corner sockets in first stage section using 2" snap pins.  
Note: The head of the snap pin should face the outside of deck
- B. Set first section in back left-hand corner of stage area. (any corner may be used as starting point\*)
- C. Align the stage section so that the studs are to the inside and the slotted sides are to the outside of the stage area.

\* Any corner may be used when using the 4' x 4' decks exclusively.



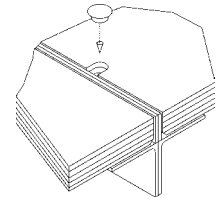
## STEP 4

(Only two galvanized legs are needed on each stage section in this row.)

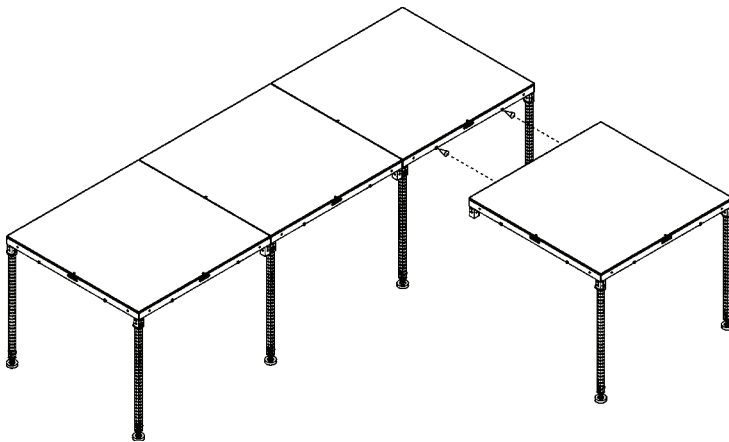


- Set back row of stage sections first.
- Insert the two legs into stage sections as shown and attach it to previous section by means of the slot and pin connections.
- Insert 5/16" T-handle hex wrench through the top of the deck and lock dtages together by rotating the cam lock clockwise.
- Insert a plastic plug into the stage deck to cover the cam lock hole as shown.

Note: Step C & D can be done as you are setting up the stage or when assembly is completed.

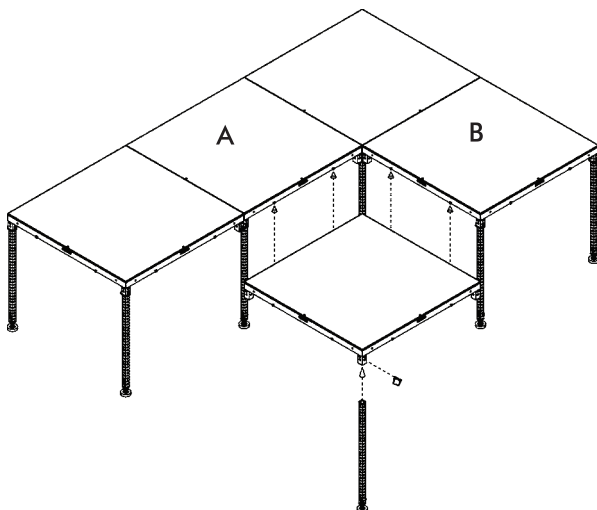


## STEP 5



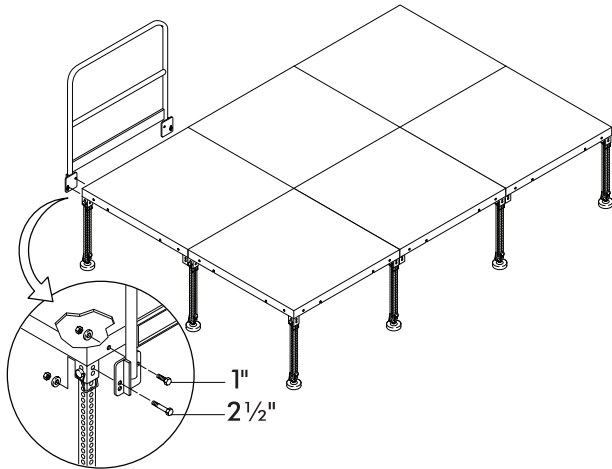
Upon completion of the back row, begin the second row with one section and add two legs as shown in Step 4-B, C & D.

## STEP 6



- To continue the second row, insert one leg in corner socket as shown and pin. Attach section to adjacent sections A & B as shown.
- Additional stage sections in each row are assembled in a like manner.
- Decks should be locked together with cam lock (see Step 4, C & D).

## STEP 7 - Guard Rail Installation

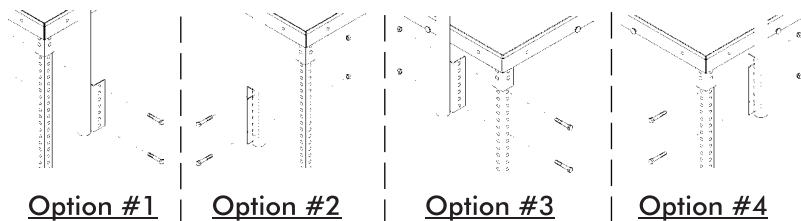
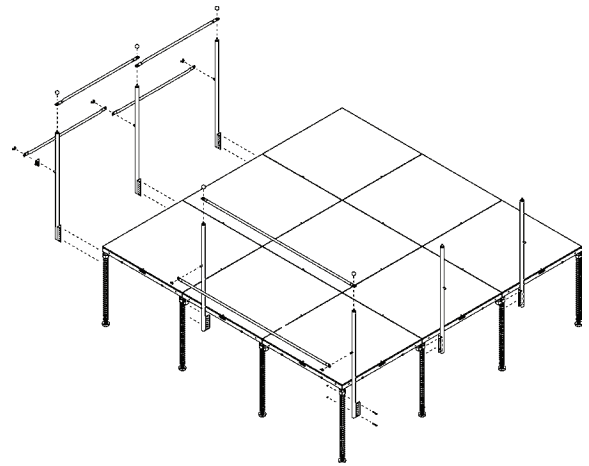


### Panel Guard Installation

- A. Use 1" long bolt to bolt the guard rail to the side of the stage and use 2-1/2" long bolt to bolt the guard rail to the leg of the stage.

### Post and Rail Installation

- A. Select appropriate legs and attach each guard rail post with (2)-3/8" x 2-1/2" hex bolts and nuts directly below the deck sockets as shown in installation options #1 - #4 below.
- B. Posts will be spaced at 4' or 8' intervals depending on rail lengths. Attach mid-rails with 1/2" wing nuts and top rails with 1/2" black rail knobs. (Pre-set all posts and rails before tightening)



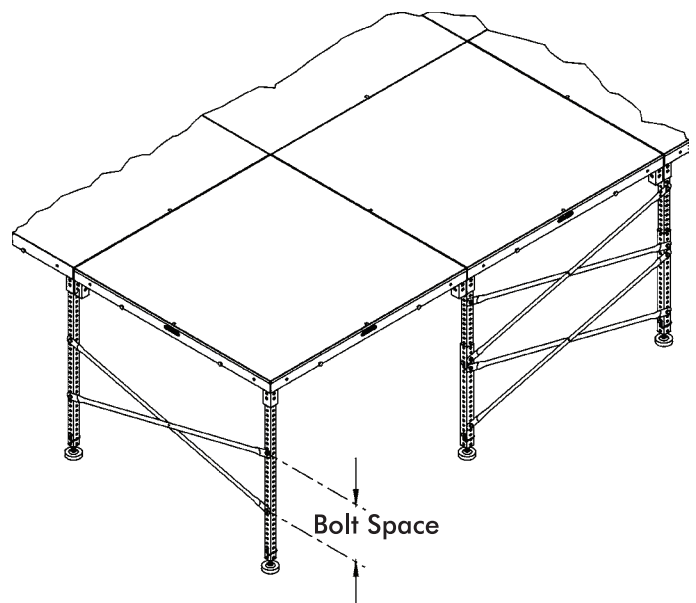
### Guard Rail Post Installation

**NOTE:** Installing guard railing often requires pre-planning. The options shown are the positions that the guard rail post can be bolted to the stage leg.

## STEP 8A - Diagonal

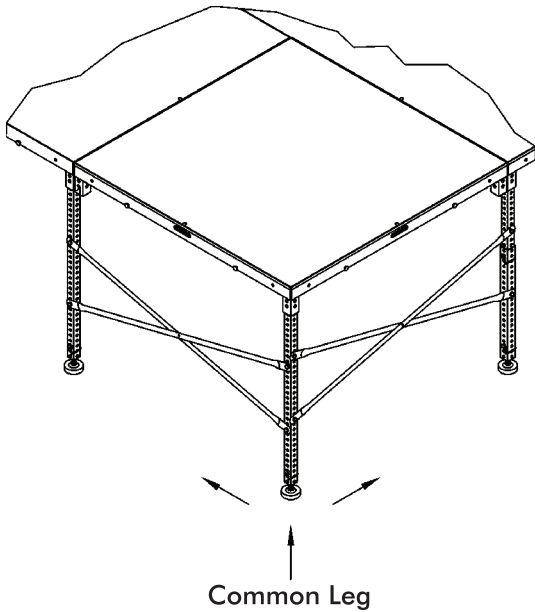
- A. Diagonal bracing is required on stages with heights over 30". Brace each corner and every third bay along each side. Use 3/8 x 2-1/2" hex bolts and wing nuts. Internal braces should be placed in the same row as perimeter bracing.
- B. Double diagonal bracing should be used on heights over 48". At least one of the braces should span the connection between the 1-1/2" leg and the 1-3/4" telescoping sleeve.
- C. The bolt space of the diagonal braces will be:  
12" with legs at 48" center line.  
18" with legs at 46" center line.

Position braces on leg height to maintain equal brace spacing.

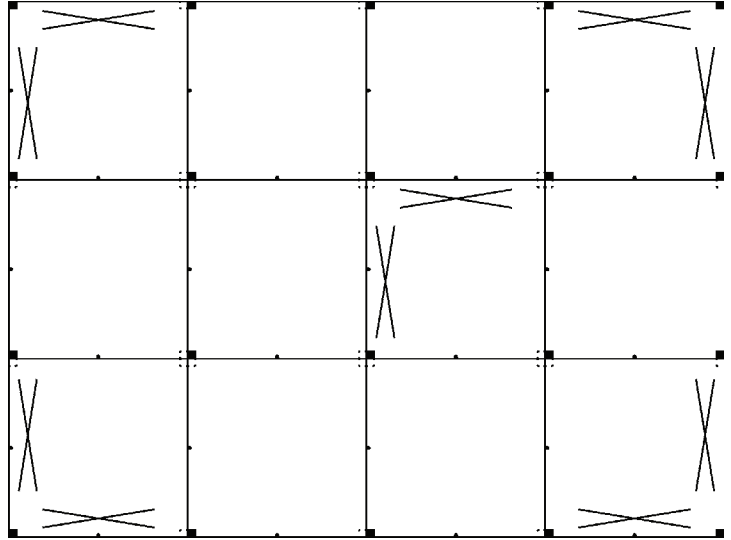


## STEP 8

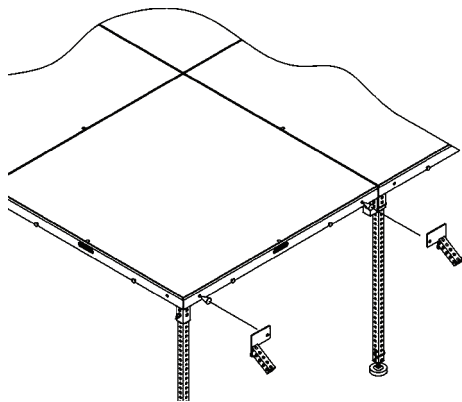
D. When bracing the Multi-Stage, a common leg should be braced in both directions as shown.



E. Multi-Stage should be braced every 2-3 decks as shown when bracing is required. (Note the common leg bracing method is shown below.)

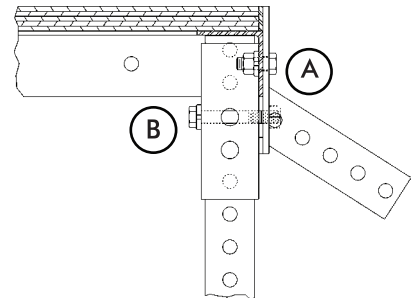


## STEP 9



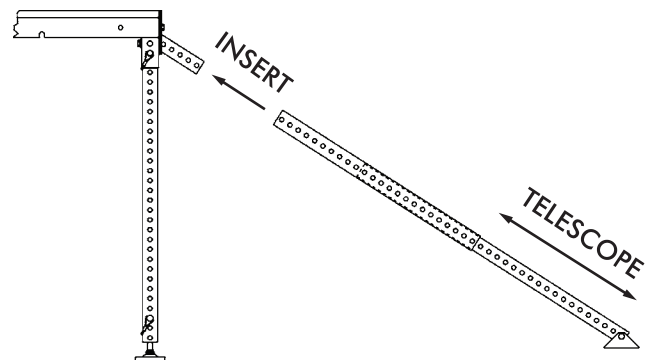
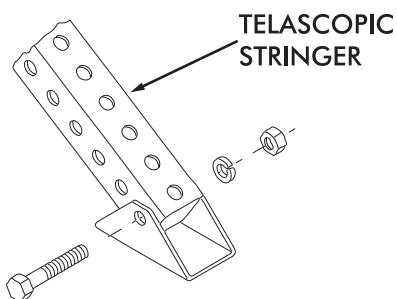
Bolt each bracket in place with the following hardware:

- A. (1) 3/8 x 1" long hex bolt  
(1) 3/8" hex nut  
(1) 3/8" lock washer
- B. (1) 3/8 x 2 - 1/2" long hex bolt  
(1) 3/8" lock washer



Assemble foot bracket to each leg using the following:

- (1) 3/8 x 2 - 1/2" long hex bolt
- (1) 3/8" hex nut
- (1) 3/8" lock washer



Extend stringer to required length and bolt temporarily until steps are assembled.

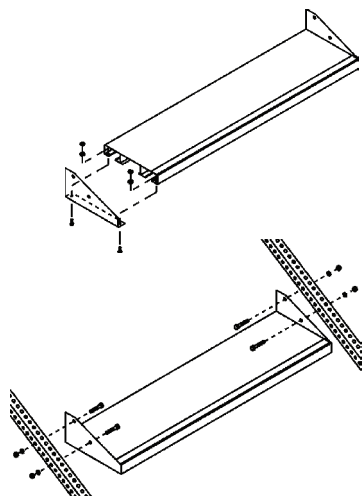
## STEP 9

Assemble step as shown with edge to accept optional striping toward the front. (Striping not included.) Parts required to assemble one step are as follows:

- (1) End plank bracket - right
- (1) End plank bracket - left
- (1) 44" Aluminum step plank
- (4) 1/4" x 3/4" long hex bolt
- (4) 1/4" hex nut
- (4) 1/4" lock washer

Assemble the step to the stringer as shown using the following hardware:

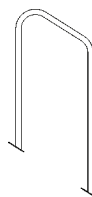
- (4) 3/8" x 2 - 1/2" long hex bolt
- (4) 3/8" hex nut
- (4) 3/8" lock washer



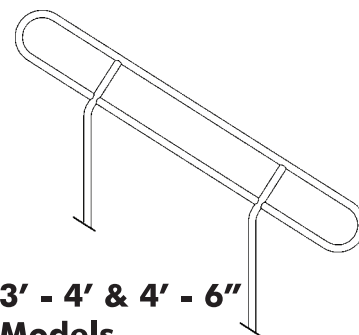
Assemble handrail stiffener (3-4 ft. package and 4-6 ft. models only) centrally locating it between the handrail support posts on the 3' - 4' stair unit. Place them (2 pcs.) as near as possible to the handrail support posts on the 4' - 6' stair units.

- 1) 3/8" x 2 - 1/2" long hex bolt
- 2) 3/8" hex nut
- 3) 3/8" lock washer
- 4) Handrail stiffener (2 pcs. on 4-6 ft. pkg. only)
- 5) Handrail (will vary depending on pkg.)

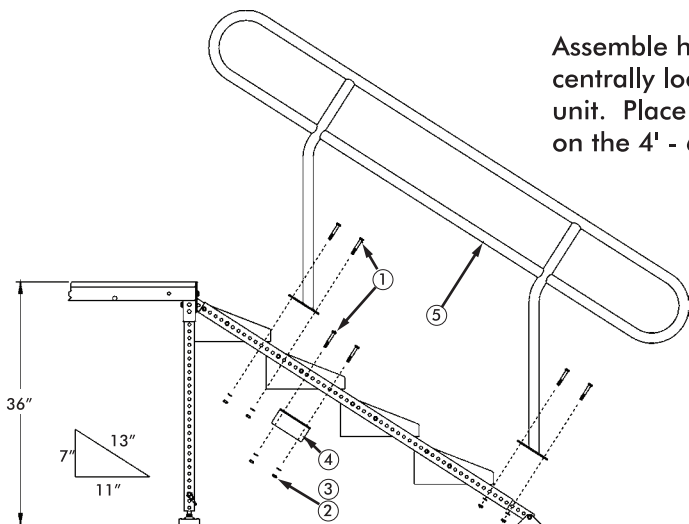
### Handrail Styles



**2' - 3' Models**



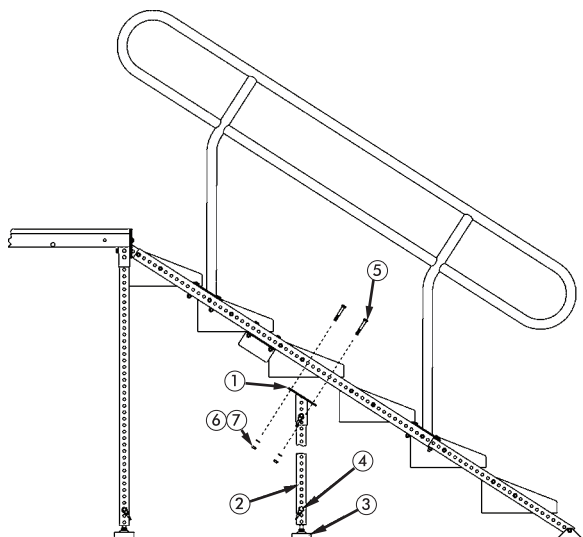
**3' - 4' & 4' - 6' Models**



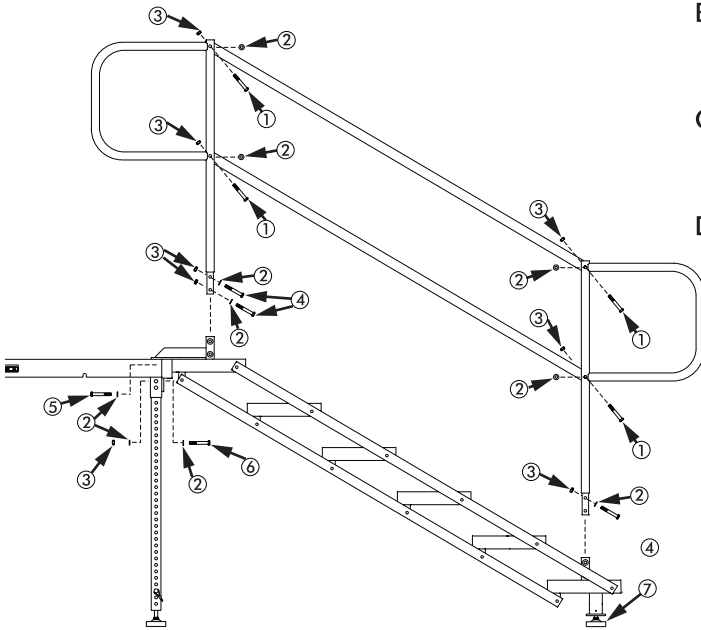
Pin support leg (2) to stringer socket (1) and leveling pad (3). Assemble stringer support socket to the stringer as shown:

- 1) Stringer support socket ..... 2
- 2) Support leg ..... 2
- 3) Adjustable rubber base pad ..... 2
- 4) 2" snap pin ..... 4
- 5) 3/8" x 2 - 1/2 long hex bolt ..... 4
- 6) 3/8" hex nut ..... 4
- 7) 3/8" lockwasher ..... 4

**NOTE:** The stringer support is included with the 4' - 6' stair unit and is recommended for use on stages over 4' in height.



## STEP 9A - Ultra-Stair

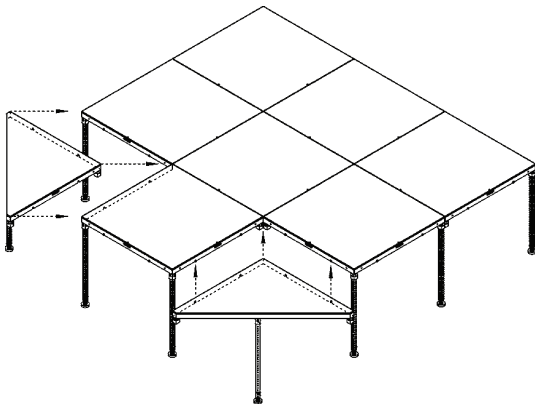


- A. Assemble handrail units as shown using bolt (1)
- B. Insert handrail assembly into sockets on stair unit. Fasten with bolts (4) as shown.
- C. Place stair unit onto stage as shown. Secure stair to stage through legs with bolts (6) and under stage with bolts (5).
- D. Adjust height of lowest stair to match rise of other stairs using the adjustable foot pads (7).

1) Bolt - 3/8 - 16x3 - 1/2" .....	8
2) Flat Washer - 3/8" .....	20
3) Lock Nut - 3/8 - 16 .....	16
4) Bolt - 3/8 - 16x2" .....	6
5) Bolt - 3/8 - 16x1" .....	2
6) Bolt - 3/8 - 16x2-3/4" .....	2
7) Rubber Foot Pad .....	2

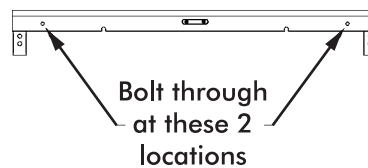
## SPECIAL CONFIGURATIONS

### 45° STAGE



When a 45° stage is mated to the noched side of a deck, bolting is required using:

- (2) 3/8"x1" hex bolts
- (2) 3/8" hex nuts

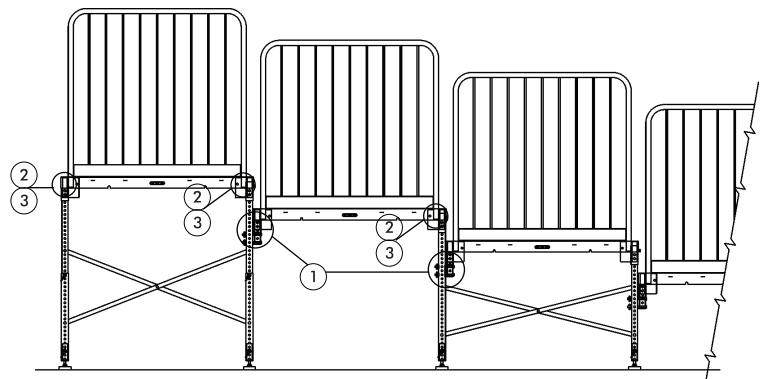


### Riser Assembly with Guard Rail

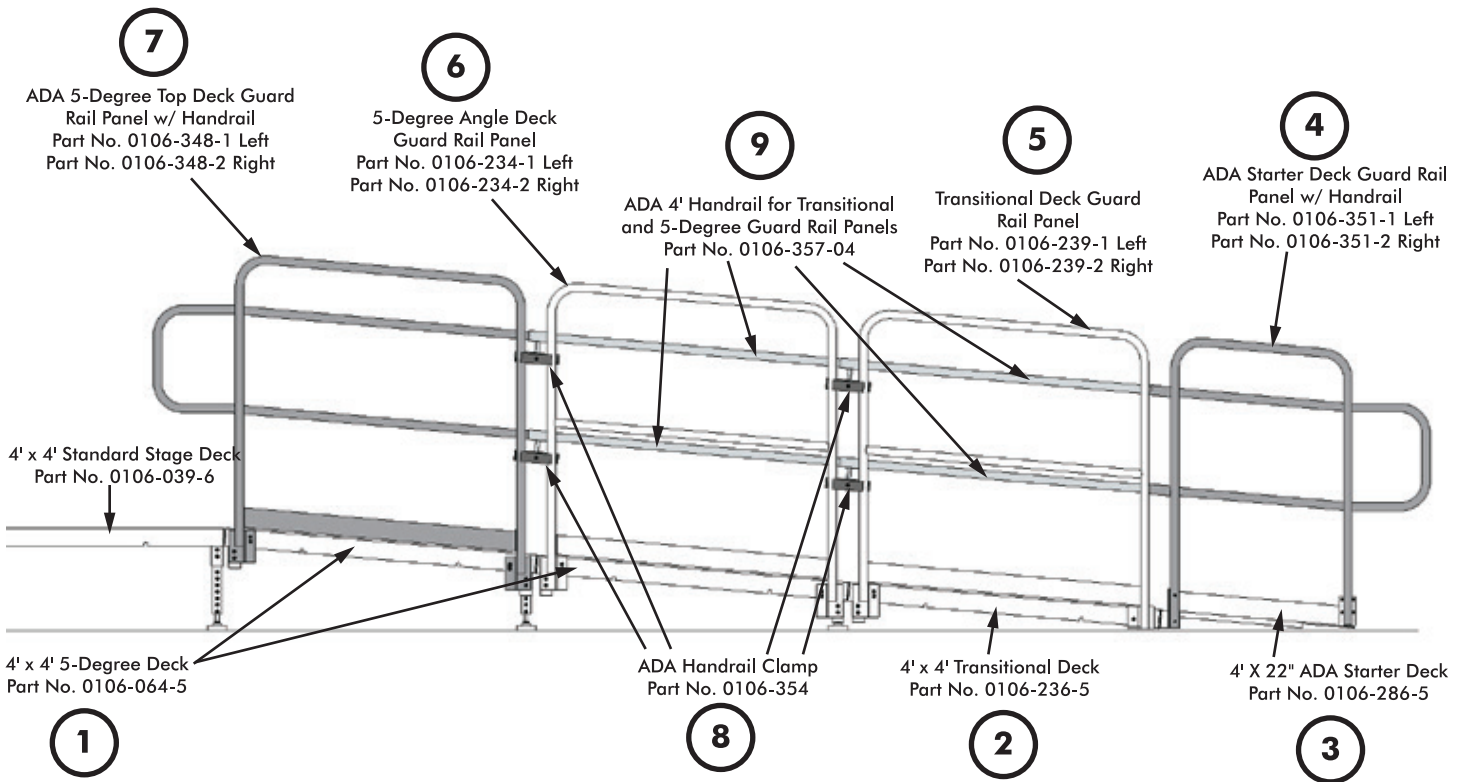
- 1) Riser socket
- 2) 3/8"x1" long hex bolt
- 3) 3/8" hex nut

Using a riser application, chair rails with clamp would be required.

Contact us for details.



# ADA Access Ramp Assembly with Guard Rail



- A. Ramp should be assembled at 5° slope. (1 inch of rise to 12 inches of run)
- B. Ramp should be assembled from platform height to the ground.
- C. Intermediate platform is required when ramp exceeds 30 feet.

1) 4' x 4' 5-Degree Angle Deck .....	0106-064-5
2) 4' x 4' Transitional Deck .....	0106-236-5
3) 4' x 22" ADA Starter Deck .....	0106-286-5
4) ADA Starter Deck Guard Rail Panel .....	0106-351-1 (Left)
with Handrail .....	0106-351-2 (Right)
5) Transitional Deck Guard Rail Panel .....	0106-239-1 (Left)
.....	0106-239-2 (Right)
6) Ramp Deck Guard Rail Panel .....	0106-234-1 (Left)
.....	0106-234-2 (Right)
7) Top Deck Guard Rail Panel.....	0106-348-1 (Left)
.....	0106-348-2 (Right)
8) ADA Handrail Clamp (to attach Item 9 to Item 5 & 6).....	0106-354
9) ADA Handrail (for Item 5 & 6).....	0106-357-04